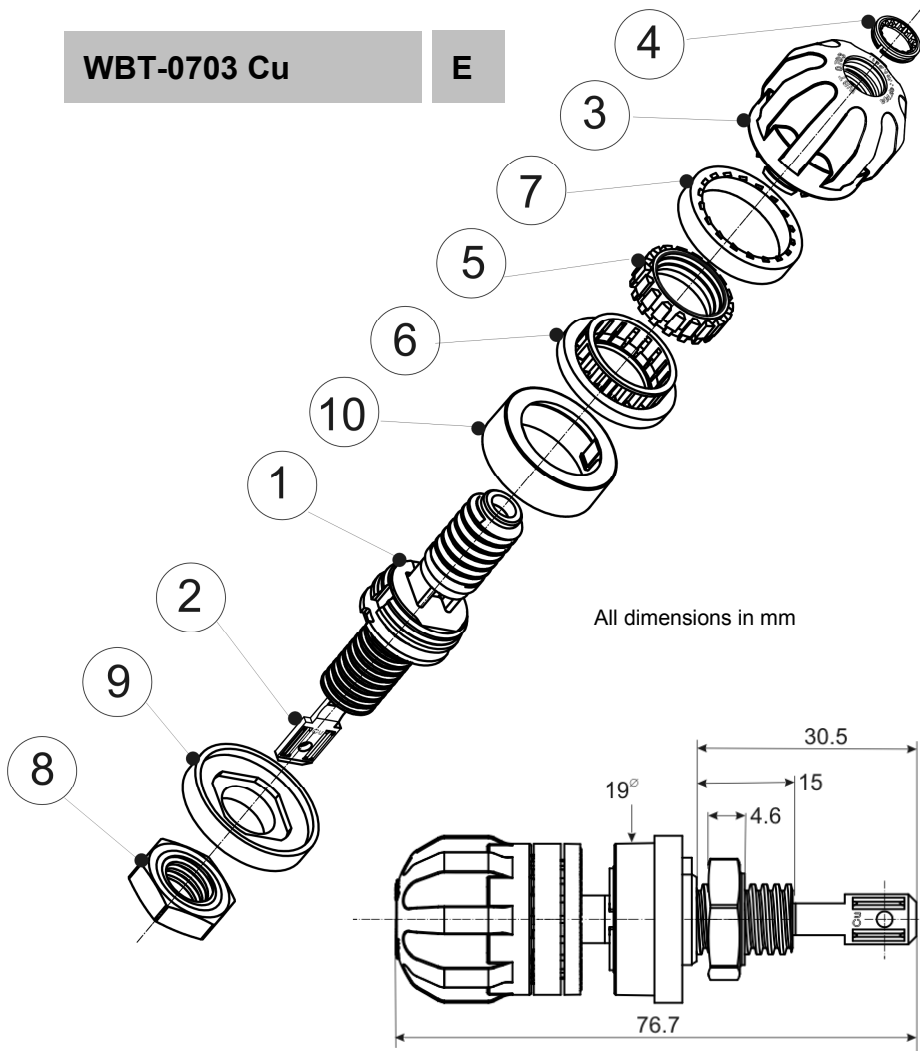


WBT-0703 Cu

E



All dimensions in mm

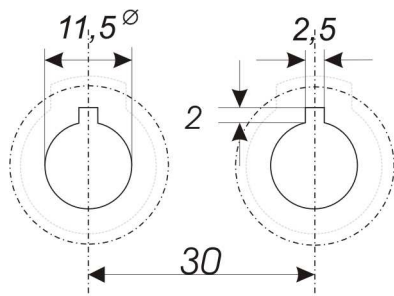
**Component list**

1	Base element, PA	1
2	Signal conductor, Cu Pure copper	1
3	Pressure nut, PC	1
4	Marking ring, PA	1
5	Pressure ring, PC	1
6	Damping unit, TPE	1
7	Indicator, retaining element, PC	1
8	Counter nut, PA	1
9	Double Step washer, PA	1
10	Covering ring, PC	1
Extent of delivery 1 – 10 mounted		
Revision date 30.16.07.2013		

<sup>1)</sup> LOCTITE is a registered trademark of Henkel • WBT and nextgen are registered trade marks of WBT Germany

WBT - nextgen™

Hybrid construction for high contact quality  
 Environmentally friendly and resource-saving production  
 Fully automated production Made in Germany, 100%!



Mounting suggestion or  
hint: impact sound interrupter WBT-0718



© by WBT Germany E05 2013

IEC, EN and RoHS compliant  
UL – style: V1

**nextgen™ Pole Terminal WBT-0703**

(EP 1 470 620, Pat. pend.102011007940)

Pole terminal for cabinet wall mounting, *plug - / solderversion*

**1. Mechanics**

- One piece, low tolerance contact element
- Fully insulated construction
- Indication of fastening power (torque control)
- Locking feature for contact pressure
- Vibration control, electrical and mechanical by functional materials

**2. Materials**

- Signal conductor (2) pure copper
- Base element (1) PA
- Counter nut (8) PA
- Marking ring (4) and double step washer (9) PA
- Damping ring (6) TPE
- Indicator / retaining (5), pressure ring (7) PC
- Pressure nut (3) and covering ring (10) PC

**3. Surfaces**

- Signal conductor: gold plated, Ni-free, non ferromagnetic

**4. Operating characteristics** (reliably observed after more than >10<sup>3</sup> connection / disconnections)

- Permanent current  $I_D \geq 30$  A
- Peak current  $I_S \geq 200$  A
- Transition resistance  $R_0 < 0,1$  mOhm (measured with spade connection)
- Contact resistance  $R_{DAg} < 0,14$  mOhm (measured with spade connection)
- Insulation resistance  $R_{iso} > 10^{10}$  Ohm (500V)

**5. Connection options**

- solder (optimal for cable up to 4 mm<sup>2</sup> / 11 AWG)
- plug (for 6.3 mm flat push-on shoe)

**6. Mounting**

- chassis drill hole  $\varnothing 11.5^{+0.2}$  mm with slot 2.5x2 mm for twist prevention (see left → drilling scheme)
- for wall thickness from 0,9 to 10,0 mm, with puzzle plate WBT-9410 from 0.9 to 8.0 mm
- recommended distance between two terminal centres: 30 mm
- recommended tightening torque for the counter nut (8): 2.1 Nm
- recommended fluid nut lock for the counter nut (8): LOCTITE 480 <sup>1)</sup>

**7. Mounting suggestion**

- impact sound interrupter WBT-0718,
- cabinet wiring with nextgen™ female blade connector WBT-0650/-0655, 30 A with contact retaining and vibration damping

Alle Angaben sowie technische Änderungen unter üblichem Vorbehalt • All instructions and technical modifications under usual reserve

WBT • Im Teelbruch 103 • 45219 Essen • Germany • Tel.: +49 2054-87552-0 • e-mail: info@wbt.de • www.wbt.de