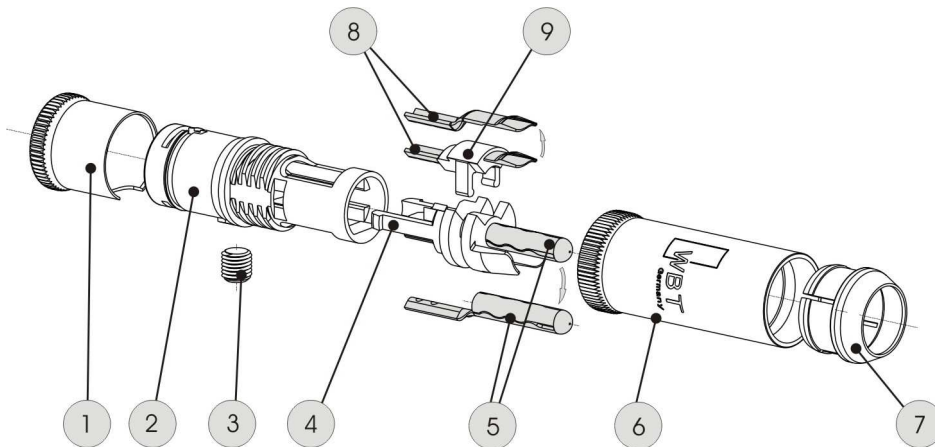


All dimensions in mm



### Component list

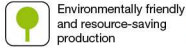
1	cap brass	1
2	Holding unit PA	1
3	Torx <sup>3)</sup> screw M4x4 brass	1
4	dielectric – plus contact PA	1
5	plus contact pure copper	1
6	shaft of clamping barrel brass	1
7	head of clamping barrel brass	1
8	minus contact pure copper	1
9	dielectric – minus contact LPC	1

Extent of delivery 1 – 9 assembled

Revision date 30.05.2013

<sup>1)</sup> Torx is a registered trademark of Camcar Textron • WBT and nextgen are registered trademarks of WBT GmbH

#### WBT - nextgen™



### WBT-0114 RCA Cinch Plug nextgen™

(Internat. Pat. EP 0 460 145 B1)

RCA / Cinch wideband plug for digital and analogue connections

#### 1. Mechanics

- Single-element low-tolerance contact elements (Tol. <math>< \pm 0,02 \text{ mm}</math>)
- Central Contact Unit consisting of two moulded contact holders, (4)+(5) and (8)+(9)
- The holding unit (2) grips the central contact unit and also provides the cable strain relief thanks to the grub screw (Torx<sup>1)</sup> T.6).
- The brass clamping barrel (6) and (7) is axially screwed over the thread of the holder and provides a permanent tight contact pressure. This way the plug can be adopted perfectly by every type of RCA / Cinch socket.
- EMC shielding is effectively achieved by the by the clamping barrel (6) and (7) and the cap made of brass (1).

#### 2. Materials

- Signal conductors (8) and (6) Pure copper
- Dielectric plus contact (4) PA
- Dielectric minus contact (9) LPC
- Cap (1) and grub screw (3) brass
- Holding unit (2) PA
- Clamping barrel (6) and (7) brass

#### 3. Surfaces

- Signal conductor (5) and (8) pure fine gold 0,3  $\mu\text{m}$
- Clamping barrel, (6), (7) laser engraved, matt black galvanic
- Cap (1) matt black galvanic
- Holding unit (2) coloured versions available according to the EIA/CEA standard for multi channel systems

#### 4. Operating Characteristics (reliable observed after more than $10^3$ connections/disconnections)

- Permanent current  $I_0 > 10 \text{ A}$
- Transition resistance  $R_0 < 0,1 \text{ m}\Omega$  (loop measured with WBT -0210)
- Contact resistance  $R_{B1}, R_{B2} < 0,1 \text{ m}\Omega$  (patch resistance, inner / outer)
- Self capacitance  $C \approx 2,5 \text{ pF}$
- Insulation resistance  $R_{iB}, R_{iG} > 10^{10} \Omega$  (conductor/ conductor, conductor/chassis)
- Characteristic impedance  $Z = 75 \text{ Ohm}$  up to 400 MHz

#### 5. Dimensions

- Outer / inner diameter 13,6 / 9mm
- Total length 51 mm

#### 6. Mounting

- Connection soldering
- Cables for cables up to 9 mm dia

WBT-0114 Cu

Characteristic Impedance  $75 \Omega > 400 \text{ MHz}$ 

RoHS compliant