

Coaxial Plug WBT-0147

RCA plug for cables up to 7,8 mm dia., for soldering

WBT

WBT-0147 E

please open here

product specifications
overleaf



Coaxial Plug WBT-0147 RCA plug for cables up to 7,8 mm dia. Midline version for soldering

Made in Germany

Int. Patent. 0460145

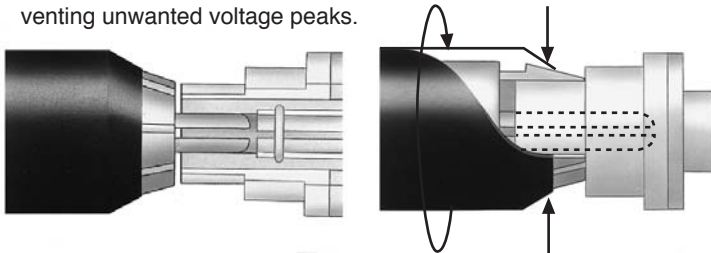
To achieve the best possible results from the individual components of your HiFi system, you need optimum connections. It's not so much the cable you use which is decisive but the connectors, since it is at the contact points between cable and system that most transmission loss occurs.

For this reason, WBT has developed plugs and sockets for audio systems far superior to the standard types available. WBT quality connectors are made from a special **OFC copper alloy** and ideally protected against corrosion by **24-carat gold plating**. **Teflon*** insulation additionally ensures constant dielectric properties.

Even more important than the material used are the mechanical properties of a connector. The decisive factor is a high and reliable contact pressure, created for example by clamping or spring mechanisms: A precisely manufactured connector alone can fulfill these requirements. A connector made of **solid material** (tolerance < 5/100 mm) additionally guarantees **extremely low** and **reliably reproducible contact resistances**.

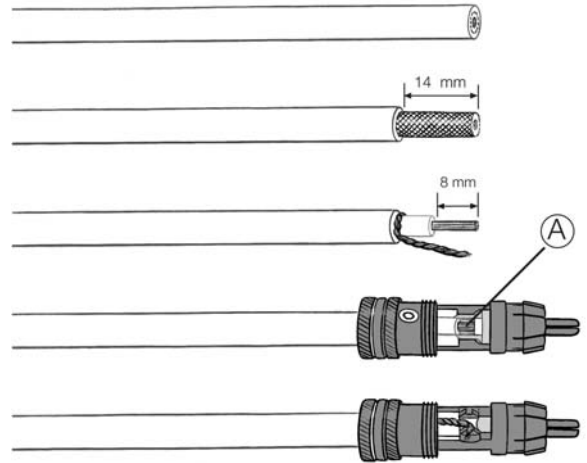
The contact quality of many conventional RCA pin-plug connectors is undeniably poor. The reason for it is an IEC 60603-14 (1998) non-compliant performance, whereas WBT RCA connectors meet this standard. WBT trial measurements have shown, for example, that the diameter of these conventional the outside contacts of RCA sockets varies from 7.95 to 8.55 mm! An ideal pin-plug connector can therefore never be a perfect fit but must be **adaptable**. This problem was solved by WBT long ago:

- due to the (patented) **collet chucking device**, which works in the same way as the chuck of a power drill, WBT coaxial plugs can be adjusted **to fit phono sockets of all kinds**. The lamellas of the outer plug contact can be narrowed down to fit any socket by turning the plug sleeve. This not only ensures uniformly high contact pressure but also clamps the plug firmly to the socket.
- The spring path of **the slotted inside contact** is such that the necessary contact pressure is reliably created even in the widest of sockets.
- **Intelligent contact arrangement**: when WBT plugs are used in conjunction with WBT coaxial sockets, this ensures that the outside conductors are activated **b e f o r e** the inside conductors, thus preventing unwanted voltage peaks.



Hints for assembly :

- Strip cable, as shown in the diagram, twist cable core, then insert cable into the plug.
- Press cable core (+ conductor) into point "A" and solder.
- Solder shield conductor (- conductor) at the rear.
- Now screw in Torx** screw for strain relief.



Handling

The precision-machined WBT chuck mechanism enables you to fasten your WBT-0147 connector on any RCA socket simply by turning the sleeve in a backward direction, thus ensuring maximum contact pressure. When plugging the connector into the socket, make sure that the chuck is not activated by turning the sleeve in a forward direction until it touches the edge of the lamella ring. When disconnecting the plug, the chuck mechanism is to be released in the same way.

Important:

WBT coaxial plugs are designed exclusively for use in signal connections of the audio and video range. WBT GmbH assumes no liability for incorrect use.

Mechanical sizes (in mm)

- external contact dia.	8.4
- range of spring of eight-fold slotted part	7.8-8.8
- internal contact dia.	3.3
- range of spring	3.0-3.4

Recommended solder:

- WBT-0800 silver solder 4% Ag

Excerpt from the WBT delivery programm

WBT-0108 coaxial crimping plug	RCA plug for cables up to 9 mm dia., lockable, crimping version
WBT-0481 torque controlled dyna key	precisely machined tool for the perfect, torque controlled assembly of all WBT connectors, a complete set with a 18-pcs bit assortment is also available (WBT-0490)
WBT-0499 cable cutter	cuts through fine-strand copper cable up to 16mm ² (5 AWG)-straight, precisely, razor blade sharp-, also ideal for stripping speaker cables
WBT adaptation sleeves	center and adapt the diameter of thinner cables to the fixed inner diameter of the plug body
WBT-0800 silver solder	4% Ag, 0.9 mm dia., with halogenfree flux, low melting temperature: 178/180°C

Printed in Germany 110.147 E 09/2003

WBT is a registered trademark of WBT Germany.

Detailed product information available.
Design and specifications subject to change without notice.

© WBT-Distribution GmbH · Im Teelbruch 103 · 45219 Essen · Germany
Tel.: +49 (0) 2054 87 552-0 · Fax: +49 (0) 2054 87 552-22
e-mail: info@wbt.de · Internet: www.wbt.de

*Teflon is a registered trademark of Du Pont.
**Torx is a registered trademark of Camcar Textron, USA