

Pole Terminal nextgen™ WBT-0705

The perfect loudspeaker terminal for audiophiles

WBT

WBT-0705 E

Copper, gold plated
WBT-0705 Cu

Silver
WBT-0705 Ag



Pole Terminal nextgen™ WBT-0705

The perfect loudspeaker terminal for audiophiles
with nextgen™ technology

Made in Germany

Int. Patent EP 1 470 620

The WBT-0705 pole terminal with nextgen™ technology is unique in its design and properties. It is ideal for all audiophiles who want to equip or up grade their amplifiers¹ and/or loudspeakers¹ with especially high value components. Measuring instruments also only function more accurately when connecting terminals possessing at least the same state-of-the-art technology are employed.

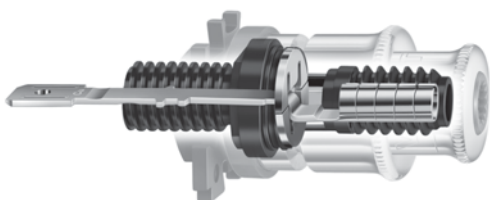
The nextgen™ pole terminal WBT-0705 is available in two versions:

WBT-0705 Cu with a highly pure copper signal conductor, gold plated
WBT-0705 Ag with a fine silver signal conductor, passivated



The Concept

The patented WBT-0705 pole terminal fully adopts the new WBT nextgen™ principle. The signal conductors are made from highly pure copper or silver and in consequence offer the maximum conductivity. They are intentionally built from one piece so that any further transition resistance will not occur. An additional damping ring made from elastomer prevents resultant vibrations at the contact level. All this provides for an ultra fast signal transmission from your pole terminal WBT-0705, full of vibrancy and life. A further innovation comes from the conductor which is embedded in a matrix of glass fibre and mineral strengthened plastic, thereby complete shock hazard protection is guaranteed.



Connectivity

Notwithstanding the innovative construction, your WBT-0705 provides all the current connection options. They accept 4 mm banana plugs as well as spades (8 and 6 mm fork width) or crimped cable ends up to 4 mm² cable cross section. Bi-Wiring is possible with the power bridges WBT-0725 or WBT-0726. (Please note: in this case, the distance between two terminal centres should be at least 30 mm in width and exactly 60 mm in height).

¹The European Norm stipulates that audio equipment for use in the home may no longer possess 4 mm insertion holes for use with banana plugs. Therefore, as obligated, we have included two blanking plugs within the pack for closing the holes.

Internal Connection

The connection lug for the internal cabling allows soldering as well as the use of a flat cable shoe (6.3 mm). According to requirements, the lug can be bent by hand.

Mounting

The pole terminal WBT-0705 is suitable for installation in measuring and control amplifiers with a chassis wall thickness up to 8.0 mm (with the puzzle plate). Mounting plates should be used for mounting onto a loudspeaker.

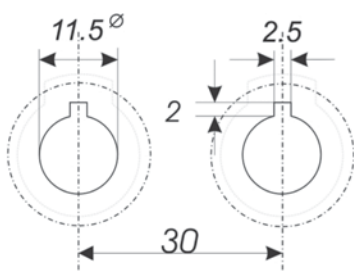
For mounting on thicker wooden cabinet walls we recommend the mounting kit WBT-0716. In this case drilling a blind hole is required.

The recommended minimum distance of two terminals is 30 mm (see drilling scheme). With a distance of exactly 30 mm the black puzzle plates can be clipped together preventing your WBT-0705 from twisting.

Please note that the maximum torque for tightening the counter nut inside the cabinet must not be more than 1,9 Nm. For this purpose we recommend the use of a dynamometric key. The tight fit of the nut shall be secured by applying some super glue.

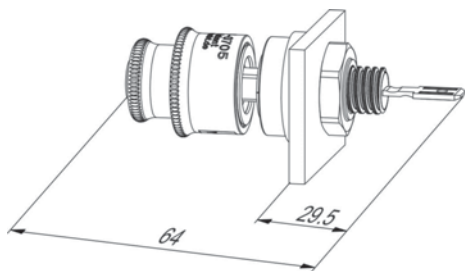
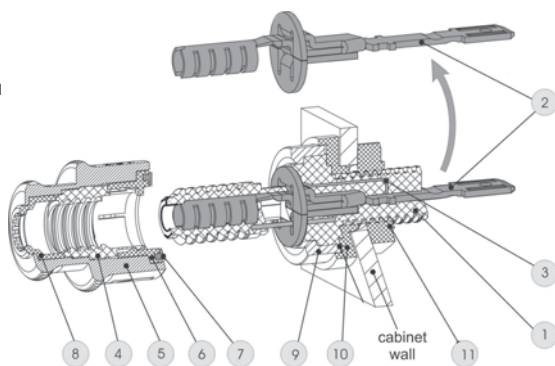
Installation Dimensions

- Chassis borehole 11.5 mm Ø, with slot 2.5 x 2 mm for twist prevention
- Minimum distance between two terminals centres: 30 mm
- Outer chassis overhang: 35 mm (max.)



Component List

- (1) Base Element
- (2) Signal Conductor (Cu)
- (3) Reinforcement
- (4) Pressure Nut
- (5) Pressure Nut Cap
- (6) Pressure Ring
- (7) Damping Ring
- (8) Marking Ring
- (9) Covering Ring
- (10) Double Step Washer
- (11) Counter Nut



Operating Features:

- Constant current $I_D \geq 30 \text{ A}$
- Admissible peak current $I_S \geq 200 \text{ A}$
- Transition resistance $R_U \leq 0.1 \text{ m}\Omega$

WBT-0705 is fully insulated and shock hazard safe up to 500 V. It is RoHS compliant and meets all common IEC as well as EN standards.

Recommended Materials

- WBT silver solder (3% Ag), lead free

Important Information

WBT accepts no liability for incorrect use.

Detailed product information available.
Design and specifications subject to change without notice.

© WBT-Distribution GmbH · Im Teelbruch 103 · 45219 Essen · Germany
Tel.: +49 (0) 2054 87 552-0 · Fax: +49 (0) 2054 87 552-22
e-mail: info@wbt.de · Internet: www.wbt.de